

# L5P Lubricator

## Manual, One Shot

### Operation

The L5P Lubricator is of spring discharge type that is operated by pushing the operating handle down, which raises a piston and compresses a spring. Releasing the handle automatically discharges oil into the system. Oil viscosity does not affect discharge volume, but may affect system pressure.

### Technical Data

Reservoir Capacity	1 pint (475cc)
Lubricator Inlet Filter	40 micron particle separation
Discharge Pressure	75 psi maximum
Factory Discharge Setting	5cc
Discharge Volume Per Stroke	1 to 5cc
Viscosity range	150 to 8,000 SSU at operating temperature



#### ATTENTION

Lubricator inlet filter should be inspected periodically and cleaned/replaced as required.

Discharge pressure will decrease as discharge volume decreases and the number of meter units in the system increases.

### System & Limitations

#### Maximum Permissible Total System Flow (ø)

CC per shot	1	2	3	4	5
Stroke Setting	1"	1-1/8"	1-1/4"	1-3/8"	1-1/2"
Meter Units Type F (#)*	5	240	450	700	800
	10	170	320	550	680
	15	140	250	440	520
	20	115	210	360	460
	25	100	180	320	400
	30	85	150	275	325
	40	60	120	210	245
	50	57	90	155	185
	60	---	60	110	135
70	---	---	70	85	

\* Do not exceed 70 meter units. To calculate total system flow (ø), refer to Brochure #B262: SureFire SLR.

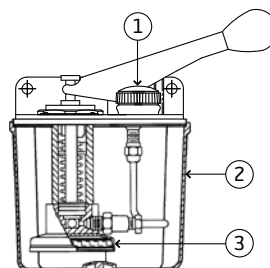
### How to Order

Name	Handle Orientation	Part #
L5P Lubricator	Right	D3174C
	Left	D3173C

When ordering, specify name and part number, eg. L5P Lubricator, Right, Part #D3174C.

### Service Parts

Item	Part #	Description
1	B9230C	Filler Cap
2	D3086C-KIT	Reservoir Assembly Group
3	S109	Filter Group



#### BIJUR DELIMON INTERNATIONAL

(919) 465 4448 LOCAL  
 (800) 631 0168 TOLL-FREE  
 (919) 465 0516 FAX

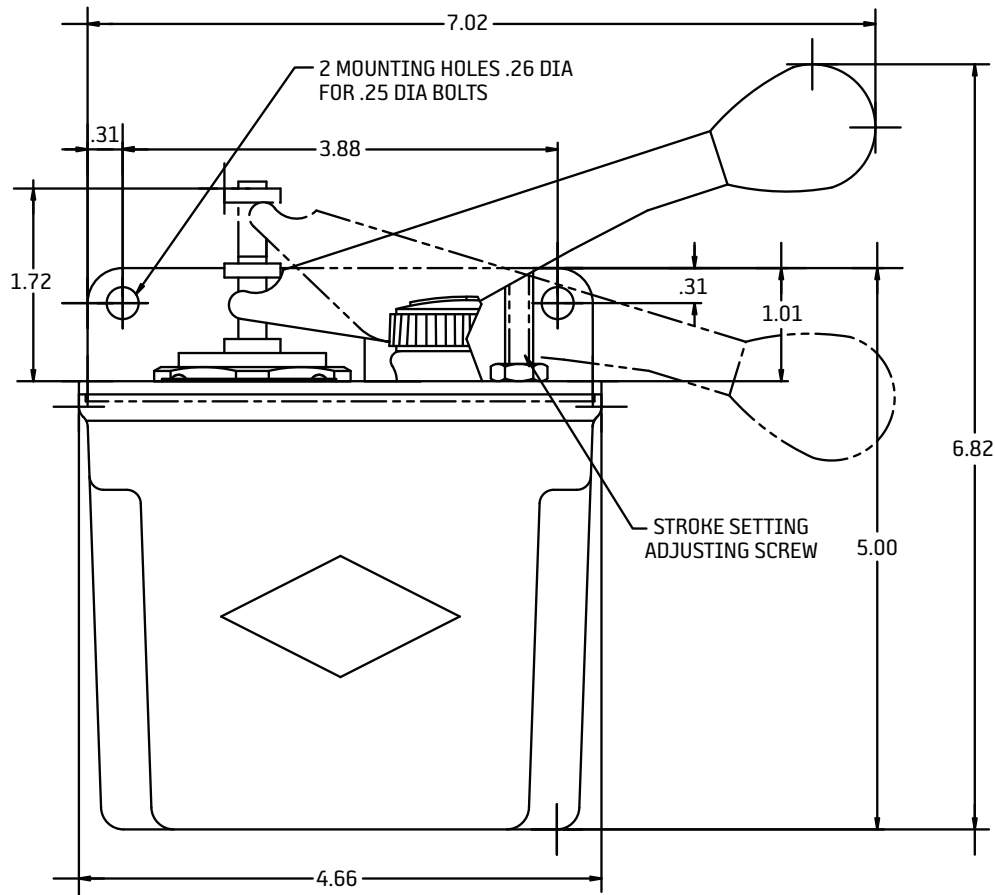
[WWW.BIJURDELIMON.COM](http://WWW.BIJURDELIMON.COM)

2100 Gateway Centre Blvd., Suite 109  
 Morrisville, NC 27560

21967 • R4 06/10

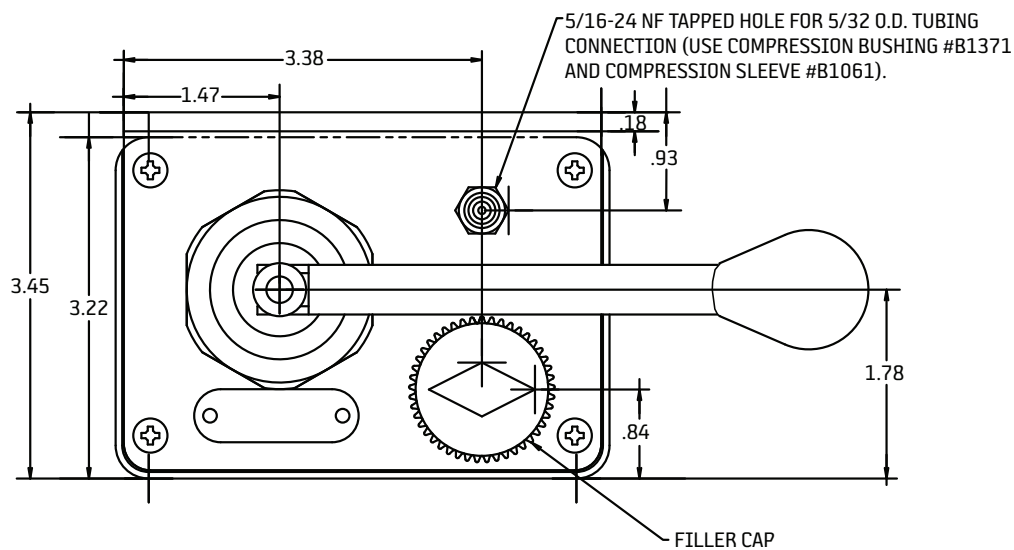
## Dimensional Schematic

### Front View (Right hand)



\*ADJUST SCREW FOR DESIRED STROKE SETTING AND TIGHTEN LOCKNUT (SEE TABLE ON PAGE 1)

### Top View (Right hand)



Measurements shown in inches.

Illustrations are not binding in detail.  
Designs are subject to modification and improvement without notice.

BIJUR DELIMON INTERNATIONAL

(919) 465 4448 LOCAL  
(800) 631 0168 TOLL-FREE  
(919) 465 0516 FAX

[WWW.BIJURDELIMON.COM](http://WWW.BIJURDELIMON.COM)

2100 Gateway Centre Blvd., Suite 109  
Morrisville, NC 27560