

Modu-Flo®

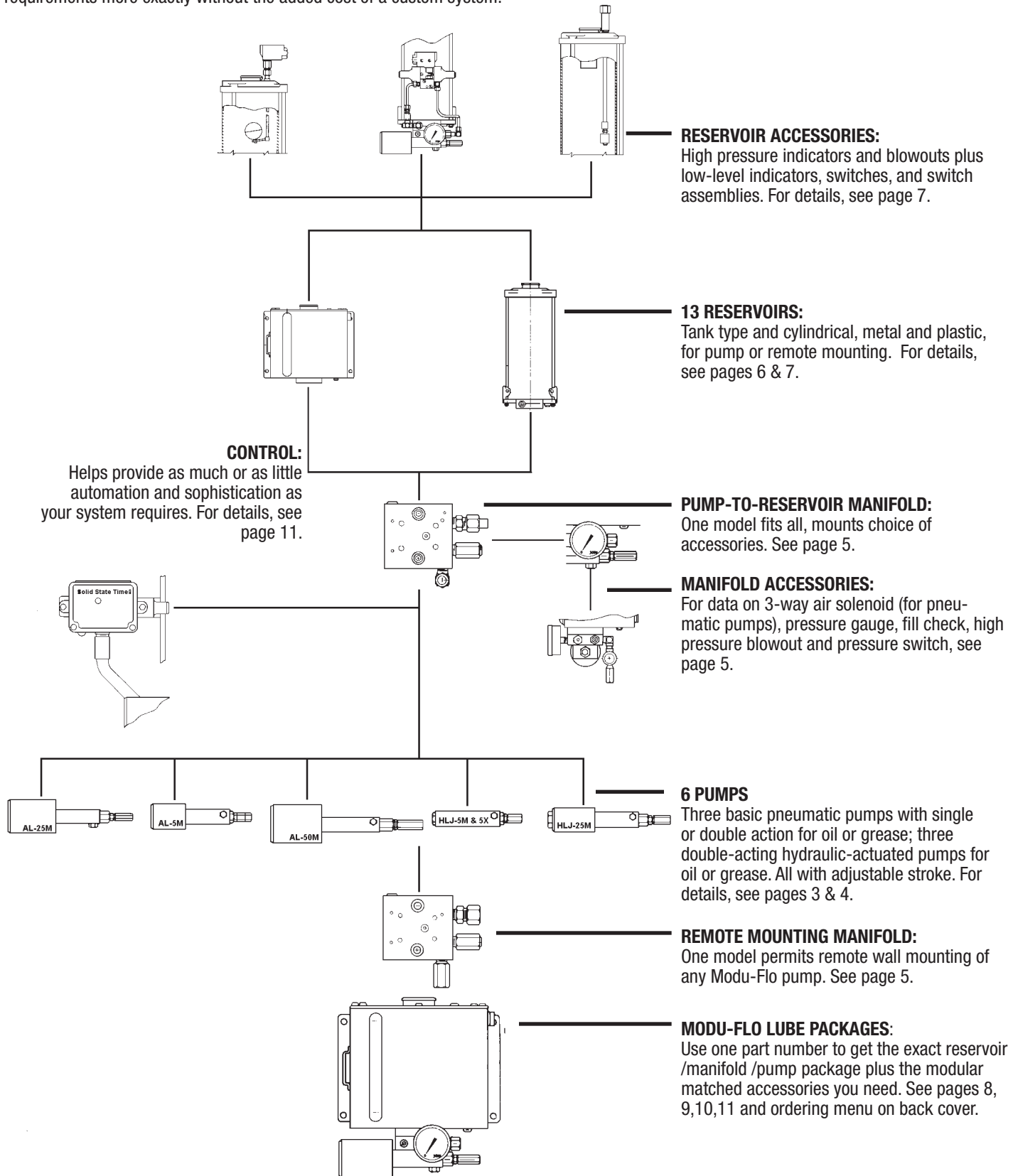


Trabon® Modu-Flo® Pumps Reservoirs Lube Packages Accessories

- Modu-Flo concept provides a proven, cost-effective way to assemble customized oil or grease lubrication systems that meet specific requirements by using standard modular components.
- Modu-Flo increases opportunities to standardize lube system components and reduces lube maintenance and service costs.
- Modu-Flo saves you system design dollars and lead time.
- Modu-Flo components are dependable and backed by the industry's most comprehensive international distributor network—with application expertise, stocked parts and factory-trained service nearby, whenever you are located.

Modu-Flo = true modularity

Wide choice of standard modular components helps you meet application requirements more exactly without the added cost of a custom system.



RESERVOIR ACCESSORIES:

High pressure indicators and blowouts plus low-level indicators, switches, and switch assemblies. For details, see page 7.

13 RESERVOIRS:

Tank type and cylindrical, metal and plastic, for pump or remote mounting. For details, see pages 6 & 7.

CONTROL:

Helps provide as much or as little automation and sophistication as your system requires. For details, see page 11.

PUMP-TO-RESERVOIR MANIFOLD:

One model fits all, mounts choice of accessories. See page 5.

MANIFOLD ACCESSORIES:

For data on 3-way air solenoid (for pneumatic pumps), pressure gauge, fill check, high pressure blowout and pressure switch, see page 5.

6 PUMPS

Three basic pneumatic pumps with single or double action for oil or grease; three double-acting hydraulic-actuated pumps for oil or grease. All with adjustable stroke. For details, see pages 3 & 4.

REMOTE MOUNTING MANIFOLD:

One model permits remote wall mounting of any Modu-Flo pump. See page 5.

MODU-FLO LUBE PACKAGES:

Use one part number to get the exact reservoir /manifold /pump package plus the modular matched accessories you need. See pages 8, 9,10,11 and ordering menu on back cover.

Modu-Flo®

PUMPS



Pneumatic AL Pump



Hydraulic HLJ Pump

There are six Modu-Flo pneumatic and hydraulic actuated pump models for series progressive oil or grease systems. Three pneumatic models carry the AL prefix. They are actuated by air pressure from 40 to 150 psi (2.76 to 10.3 bar), and have a lube-to-air pressure ratio of 30:1. They can be set up to be single- or double- acting, depending on the system requirements.

Three hydraulic-actuated models carry an HLJ prefix. They are double-acting, operate on hydraulic pressure from 200 to 2,000 psi (13.8 to 137.9 bar), and have a lube-to-hydraulic pressure ratio of 5.5:1. The HLJ-5X has a lube to hydraulic ratio of 2.2:1.

All six models fit either the Modu-Flo pump-to-reservoir mounting manifold or the remote wall mounting manifold.

FEATURES / BENEFITS

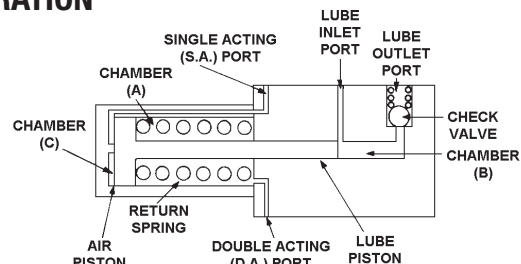
- Adjustable displacement at the turn of a screw provides an infinite choice of outputs within output range of each pump model.
- All Modu-Flo pumps can be used with either oil or grease
- All Modu-Flo pumps can be used with any of the 13 Modu

SPECIFICATIONS

MODEL	ACTUATION	ACTION	DIS-PLACEMENT ADJ. RANGE CU.IN. (CM3)	* MAX. CYCLES PER MINUTE	APPROX- IMATE Wt., lb. (kg)	OPERATING VOLUME PER FULL STROKE/ CYCLE CU.IN. (CM3)
ALS-5	Pneumatic	Single	.010 to .030 (.164 to .492)	30	3.75 (1.7)	1.06 (17.4)
ALJ-5	Pneumatic	Double	.010 to .030 (.164 to .492)	60	3.75 (1.7)	2.09 (34.3)
ALS-25	Pneumatic	Single	.030 to .120 (.492 to 1.966)	30	4.75 (2.15)	4.20 (68.8)
ALJ-25	Pneumatic	Double	.030 to .120 (.492 to 1.966)	60	4.75 (2.15)	8.28 (135.7)
ALS-50	Pneumatic	Single	.060 to .240 (.983 to 3.933)	30	6.5 (2.9)	8.40 (137.6)
ALJ-50	Pneumatic	Double	.060 to .240 (.983 to 3.933)	60	6.5 (2.9)	16.56 (271.4)
NOTE: AL (air) pumps for single- or double-acting operation have the same part number. (See page 4.)						
HLJ-5	Hydraulic	Double	.010 to .030 (.164 to .492)	100	3.375 (1.53)	0.35 (5.7)
HLJ-5X	Hydraulic	Double	.030 to .092 (.492 to 1.51)	50	3.375 (1.53)	0.28 (4.7)
HLJ-25	Hydraulic	Double	.030 to .120 (.492 to 1.966)	50	5.5 (2.49)	1.38 (22.6)
NOTE: Min/Max. air pressure for AL pumps is 40 to 150 psi (2.76 to 10.3 bars). Min/Max. hydraulic pressure for HLJ 5 AND 25 pumps is 200 to 2,000 psi (13.8 to 137.9 bars), and 3000 psi (max) (207 bar) for the HLJ-5X. AL Pumps have a lube to air pressure ratio of 30:1. HLJ-5 & 25 Pumps have a lube to hydraulic pressure ratio of 5.5:1. HLJ-5X is 2.2:1. *Do not exceed 10 cpm with grease (3 seconds on, 3 seconds off)						

Note: Refer to bulletin L12011 for electric motor operated Modu-Flo pumps.

OPERATION



Typical Pump Operation

When used in single-acting mode, air under pressure is supplied through the inlet port (SA) to chamber (C). This moves the air and lube pistons to the right. This closes the lube inlet port and forces the lubricant already in chamber (B) past the check valve and into the system. Air in chamber (A) must vent out port (DA). A plastic pipe plug with a vent hole is installed in port (DA). After a preset time interval the solenoid valve shuts off the air supply and vents chamber (C) through port (SA). The spring returns the air and lube pistons, opening chamber (B) to the lube reservoir. This completes a single pump cycle and chamber (B) is primed, ready for the next cycle.

When used in double-acting mode, an additional air or hydraulic supply line is connected to port (DA). When the pistons have been moved to the right, air or hydraulic supply to port (SA) is shut-off and vented. Then, air or hydraulic fluid under pressure is supplied to port (DA), which returns the pistons to their original position. This more powerful return action allows an increased cycle rate of the pump.

ADJUSTING DISPLACEMENT

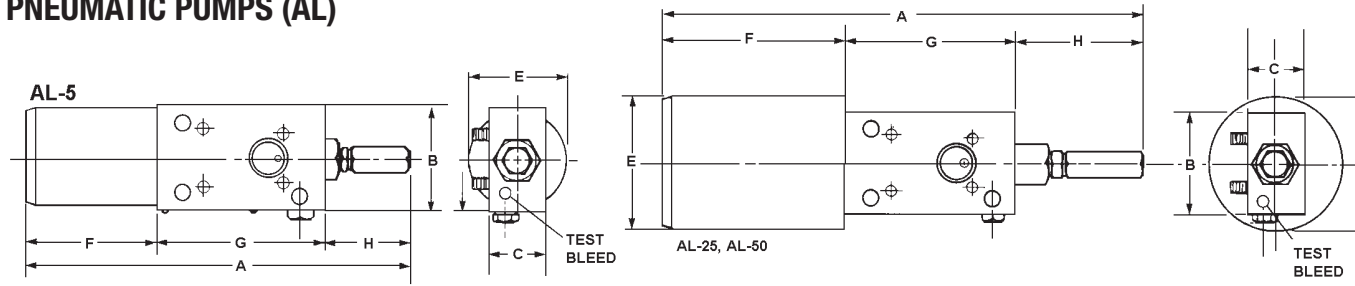
After the pump is removed from service, remove the calibrated cap that protects the adjustment screw. Loosen the hex nut and two washers. Then use a screwdriver to turn the adjustment screw outward to increase displacement or inward to reduce displacement. Align the calibrated cap parallel to the screw to gauge the amount of change (Cap is graduated at minimum, 1/4, 1/2, 3/4 and maximum output). When the proper setting has been made reposition the washers and tighten the hex nut, replace the cap, and return the pump to service.

Important: System should **NOT** be operating while adjustments are made; however, it is not necessary to remove the pump or disconnect any lines.



PUMP DIMENSIONS / Inches (mm)

PNEUMATIC PUMPS (AL)

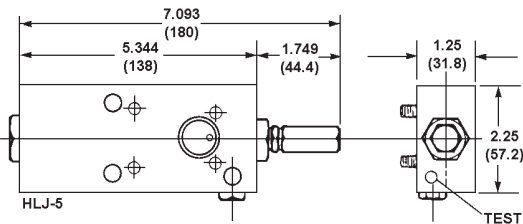


AL-5 Pumps, single- and double-acting

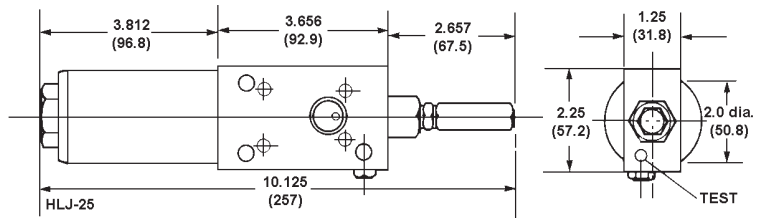
AL-25 and AL-50 Pumps, single- and double-acting

PUMP MODEL	DIMENSIONS / Inches (mm)						
	A	B	C	E	F	G	H
AL-5	8.281 (210.3)	2.250 (57.2)	1.250 (31.8)	2.125 (54)	2.875 (73)	3.656 (92.9)	1.750 (44.5)
AL-25	10.375 (263.5)	2.250 (57.2)	1.250 (31.8)	2.875 (73)	3.980 (101.1)	3.656 (92.9)	2.750 (69.9)
AL-50	12.812 (325.4)	2.250 (57.2)	1.250 (31.8)	3.188 (81)	4.250 (108)	4.808 (122.1)	3.750 (95.3)

HYDRAULIC PUMPS (HLJ)



HLJ-5 & HLJ-5X double-acting pump



HLJ-25 double-acting pump

ORDERING INFORMATION

Use the following part numbers only if you are **NOT** ordering a Modu-Flo Lube Package.

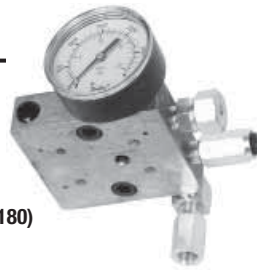
NOTE: Single- and double-acting pneumatic pumps (AL) have the same part number.

COMPONENT ORDERING - Repair Kits		
Description	Part No.	Old Part No.
For AL-5, single - or double-acting	563902	560-001-021
For AL-25, single - or double-acting	563903	560-001-031
For AL-50, single - or double-acting	563904	560-001-041
For HLJ-5	563905	560-001-051
For HLJ-25	563906	560-001-061
For HLJ-5X	563925	560-001-940

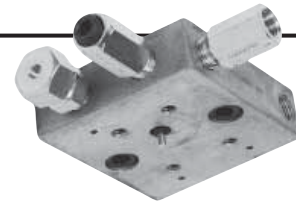
COMPONENT ORDERING - New Pumps		
Description	Part No.	Old Part No.
AL-5, pneumatic 30:1, .010-.030 in ³ /stroke, .164-.492 cc	563304	521-000-001
AL-25, pneumatic 30:1, .030-.120 in ³ /stroke, .492-1.966 cc	563306	521-000-021
AL-50, pneumatic 30:1, .060-.240 in ³ /stroke, .938-3.933 cc	563308	521-000-041
HLJ-5, hydraulic 5.5:1, .010-.030 in ³ /stroke, .164-.492 cc	563305	521-000-011
HLJ-25, hydraulic 5.5:1, .030-.120 in ³ /stroke, .492-1.966 cc	563307	521-000-031
HLJ-5X, hydraulic 2.2:1, .030-.092 in ³ /stroke, .492-1.51 cc	563345	521-005-900
*Air restrictor valve	563072	463-410-080

*Slows operation of pneumatic pumps and reduces system pressure spikes.

Modu-Flo®



Pump-to-reservoir manifold (521-001-180) (563324) (Shown assembled)



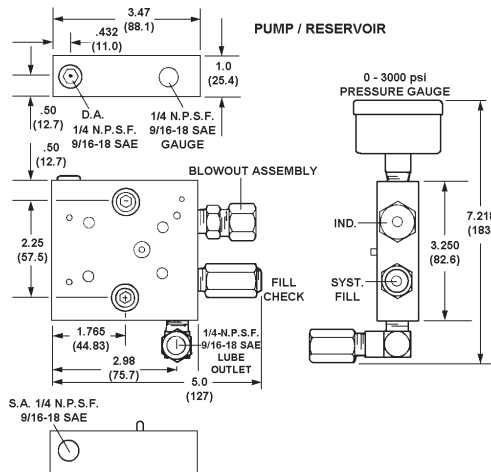
Pump-to-wall or remote manifold (521-001-170) (563323) (Shown assembled)

MANIFOLDS

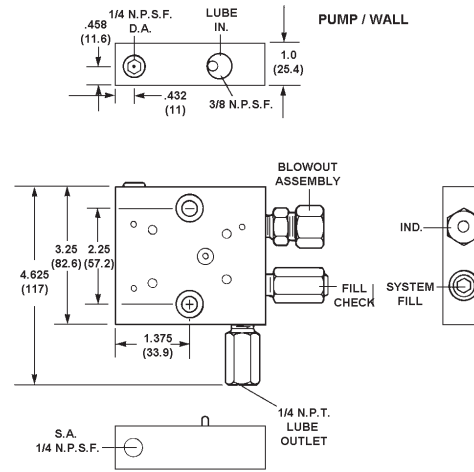
There are just two types of modular design manifolds for direct-to-reservoir or remote mounting of Modu-Flo Pumps. Both mount any pneumatic or hydraulic Modu-Flo pump and both types contain all of the pneumatic (or hydraulic) connections and lubricant lines necessary. This allows the pump to be removed

without disturbing existing lines or emptying the reservoir. Also, Modu-Flo manifolds may be used as is, or can be fitted with a choice of matched accessories. (See illustrations and listings that follow.)

DIMENSIONS / Inches (mm)



* Pump-to-reservoir manifold.



* Manifold for remote mounting of pump. Part Number 521-001-170

ORDERING INFORMATION

You can order the manifold and accessories you want separately or with one part number, as shown below. If you intend to order the pump, reservoir, manifold and accessories at one time, check the section in this brochure beginning on page 8 titled "Modu-Flo Lube Packages."

**MANIFOLD/ACCESSORY COMBINATIONS		
Description	Part No.	Old Part No.
Pump/Reservoir Manifold only (NPT)	563329	521-001-540
Pump/Reservoir Manifold (NPT) with outlet check valve, system fill check valve, blowout assembly, and 0-3000 psi pressure gauge.	563324	521-001-180
Remote Pump Manifold (NPT) with outlet check valve, system fill check valve and blowout assembly	563323	521-001-170
Pump/Reservoir Manifold (NPT) with outlet check valve, system fill check valve, tubed blowout assembly, and 0-3000 psi pressure gauge	563331	521-001-790
Remote Pump Manifold (NPT) with outlet check valve, system fill check valve, and tubed blowout assembly	563330	521-001-780
Pump/Reservoir Manifold (SAE) with outlet check valve, system fill check valve, blowout assembly and pressure gauge	563355	521-010-820

NOTE: For ratings on spare and/or replacement blowout discs, see page 11.

For other port thread options, contact factory.

ACCESSORIES FOR MANIFOLD		
Description	Part No.	Old Part No.
Outlet Check Valve (NPT)	563207	509-360-030
System Fill Check Valve (NPT)	563211	509-365-030
Standard Blowout Assembly, 1,450 psi (99.9 bar) (NPT)	563179	509-206-100
Tubed Blowout Assembly, 1,450 psi (99.9 bar) (NPT)	563186	509-220-101
Standard Pressure Gauge, 3,000 psi (206.9 bar) (NPT)	557864	543-362-000
Liquid Filled Pressure Gauge, 3,000 psi (206.9 bar) (NPT)	557866	543-711-380
Outlet Check Valve (SAE)	-	463-001-587
System Fill Check Valve (SAE)	-	463-001-600
Standard Blowout Assembly, 1,450 psi (99.9 bar) (SAE)	-	509-206-110
Standard Pressure Gauge, 3,000 psi (206.9 bar) (SAE)	-	493-020-242
Gauge Adaptor (SAE) 7/16-20 to 9/16-18	-	412-700-545

* Manifolds are intended for gravity feed (oil) or spring loaded follower feed (grease) only.

** Manifolds/Accessory combinations are shipped with accessories not assembled to manifold.

Modu-Flo®



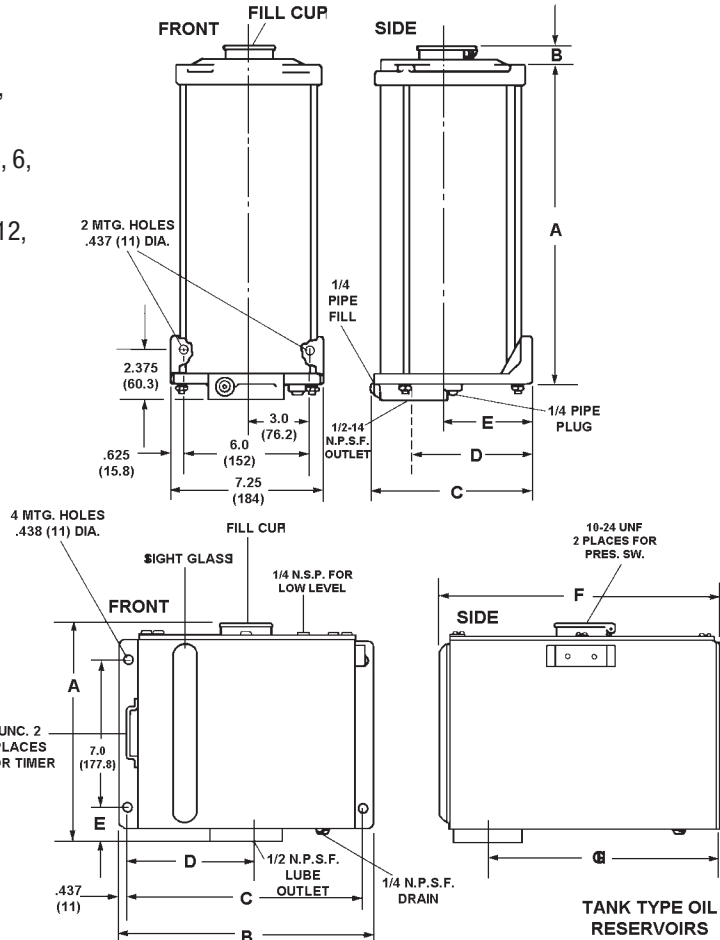
RESERVOIRS

23 Modu-Flo Reservoirs are available for use with any Modu-Flo Pump or as a separate unit.

They are available in the following configurations and capacities:

- Cylindrical types in plastic and metal are available with grease capacities of 3, 5, 6, 12, 20, and 40 lbs. (1.36, 2.27, 2.72, 5.44, 9.06 and 18.16 kg).
- Cylindrical types in plastic are available with oil capacities of 5, 6, 12 and 20 pints (2.37, 2.84, 5.68 and 9.46 liters).
- Rectangular types in metal are available with oil capacities of 12, 24 and 40 pints (5.58, 11.36 and 18.92 liters).
- Metal reservoirs are equipped with level indicators.
- Maximum temperature rating = 120°F

Modu-Flo RESERVOIR DIMENSIONS / Inches (mm)



CYLINDRICAL PLASTIC OIL RESERVOIRS

SIZE	A	B	C	D	E
5-pint	15.00 (381)	.625 (15.9)	5.812 (148)	3.797 (96.4)	3.50 (88.9)
6-pint	10.50 (267)	.750 (19.1)	7.50 (191)	5.625 (143)	4.25 (108)
12-pint	15.00 (381)	.750 (19.1)	7.50 (191)	5.625 (143)	4.25 (108)
20-pint	22.00 (559)	.750 (19.1)	7.50 (191)	5.625 (143)	4.25 (108)

RECTANGULAR METAL OIL RESERVOIRS (For Larger Capacity Reservoirs, Contact Factory)

SIZE	A	B	C	D	E	F	G
12-pint	10.70 (272)	10.75 (273)	9.875 (251)	5.30 (135)	1.64 (41.7)	7.25 (184)	4.812 (122)
24-pint	10.59 (269)	12.00 (305)	11.125 (283)	5.93 (151)	1.92 (48.8)	13.22 (336)	10.781 (274)
40-pint	10.59 (269)	17.25 (438)	16.375 (416)	6.42 (163)	1.92 (48.8)	13.22 (336)	10.781 (274)

CYLINDRICAL METAL & PLASTIC GREASE RESERVOIRS

SIZE	A	B	C	D
3-lb.	6.87 (175)	8.81 (224)	5.62 (143)	4.25 (108)
5-lb.	15 (381)	7.25 (184)	3.62 (92.1)	2.50 (63.5)
6-lb.	10.5 (267)	8.81 (224)	5.62 (143)	4.25 (108)
12-lb.	15 (381)	8.81 (224)	5.62 (143)	4.25 (108)
20-lb.	22 (559)	8.81 (224)	5.62 (143)	4.25 (108)
40-lb.	22.6 (574)	9.12 (232)	7.2 (183)	-

*See Note 3, Page 12.
 †7.5" (190) 40 lbs.
 ††9.0" (229) 40 lbs.
 40 lbs. Cylindrical grease reservoir (not shown) available with plastic reservoir tube only.

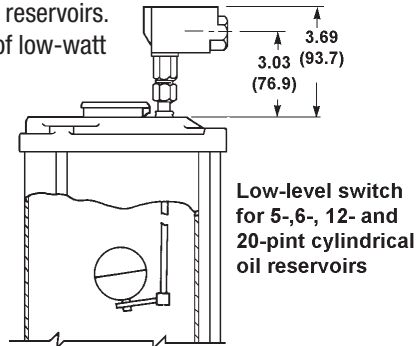
Metal grease reservoir illustrated at right

*See Note 3, Page 9

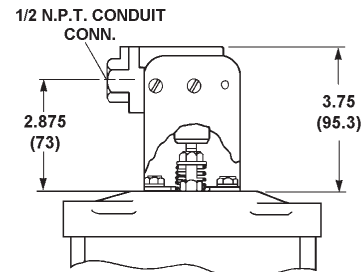
RESERVOIR ACCESSORIES

Low Level Switches

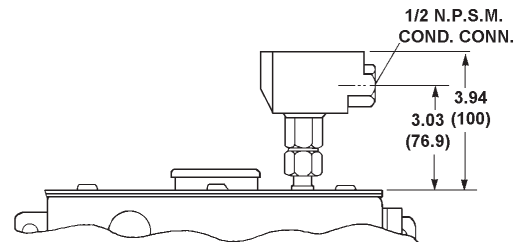
All reservoirs are available with a lubricant low level switch accessory for fault diagnosis or fault warning. These devices are single-pole, double-throw limit switches rated at 15 amps, 125, 250 or 480 VAC, 60/50 Hz... 1/2 amp at 125 VDC... and 1/4 amp at 250 VDC. An optional "low-watt" single-pole, single-throw, 10-watt low level switch is available for oil reservoirs. (See page 10 for dimensions of low-watt switches).



Low-level switch for 5-, 6-, 12- and 20-pint cylindrical oil reservoirs



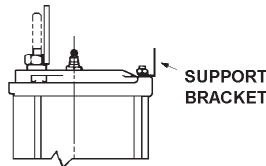
Low-level switch for 5-, 6-, 12-, and 20-pound cylindrical grease reservoirs



Low-level switch assembly for 12-, 24- and 40-pint rectangular (tank) reservoirs.

SUPPORT BRACKET

When mounting a 12 lb. or 20 lb. cylindrical reservoir to equipment that vibrates, a support bracket is available to secure the top of the reservoir.



SUPPORT BRACKET

PRESSURE INDICATORS

There are pressure switches for all Modu-Flo reservoirs, plus a selection of high pressure blowouts. For part numbers, see ordering information below. For details, see page 10 of this brochure.

ORDERING INFORMATION		
*For Oil	Part No.	Old Part No.
5 pint, plastic, cylindrical	562891	185-100-080
6 pint, plastic, cylindrical	562904	185-100-750
12 pint, plastic, cylindrical	562889	185-100-060
20 pint, plastic, cylindrical	562890	180-100-070
12 pint, metal, rectangular	563319	521-001-060
24 pint, metal, rectangular	—	521-001-760
40 pint, metal, rectangular	563321	521-001-080
6 pint with low level switch	—	185-101-020
12 pint with low level switch	—	185-101-000
20 pint with low level switch	—	185-101-010
**For Grease	Part No.	Old Part No.
3 lb, plastic, cylindrical	562910	185-101-080
3 lb, plastic, cylindrical with low level switch actuator (see note 5 page 12)	562911	185-101-140
5 lb, plastic, cylindrical	562888	185-100-040
6 lb, plastic, cylindrical	562905	185-100-760
12 lb, plastic, cylindrical	562884	185-100-000
20 lb, plastic, cylindrical	562885	185-100-010
40 lb	564267	185-100-970
40 lb, with visual level	—	185-100-980
40 lb, with low level switch	564268	185-100-130
5 lb, metal, cylindrical	564364	185-100-050

6 lb, metal, cylindrical	562906	185-100-770
12 lb, metal, cylindrical	562886	185-100-020
20 lb, metal, cylindrical	562887	185-100-030
Fill coupler for grease reservoir	558906	506-322-000
Support Bracket	Part No.	Old Part No.
Oil, 12 and 20 pint, cylindrical	—	521-001-130
Grease, 12 and 20 lb, cylindrical	—	521-001-130
Low-Level Switch Assemblies	Part No.	Old Part No.
Oil, 5 and 12 pint, cylindrical, SPDT, 15 amp	563316	521-001-030
Oil, 20 pint, cylindrical, SPDT, 15 amp	563317	521-001-040
Oil, 6 pint, cylindrical and all tank reservoirs, SPDT, 15 amp	563318	521-001-050
Oil, 5 and 20 pint, cylindrical, SPST, 10 watts	563015	456-010-172
Oil, 20 pint, cylindrical, SPST, 10 watts	563016	456-010-173
Oil, 6 pint, cylindrical and all tank reservoirs, SPST, 10watts	563014	456-010-171
Grease, 5, 6, 12 and 20 lb, cylindrical	563322	521-001-110
Pressure Switch Assemblies	Part No.	Old Part No.
Pressure Switch for all reservoirs	557829	542-210-120
High Pressure Blowout for 5 pint or 5 lb reservoirs	563325	521-001-190
High Pressure Blowout for 12 and 20 pint or 12 and 20 lb reservoirs	563326	521-001-200
High Pressure Blowout for all rectangular reservoirs	563327	521-001-210

Use the part number at right to order the reservoir you require.
 *Oil units with screw on fill/breather (not shown) **See note 3, page 12

Modu-Flo®



LUBE PACKAGES

Available in a broad selection of pump-manifold-reservoir combinations with a choice of modular, matched accessories - order the complete package with a single part number.

Modu-Flo Lube Packages can be provided with any of three pneumatic, three hydraulic pumps or three electric pumps... utilize modular manifolds...supply oil or grease from any of 13 reservoirs for either lubricant. There is also a range of accessories that brings the package up to the exact degree of automation or system diagnostic capability that your application requires.

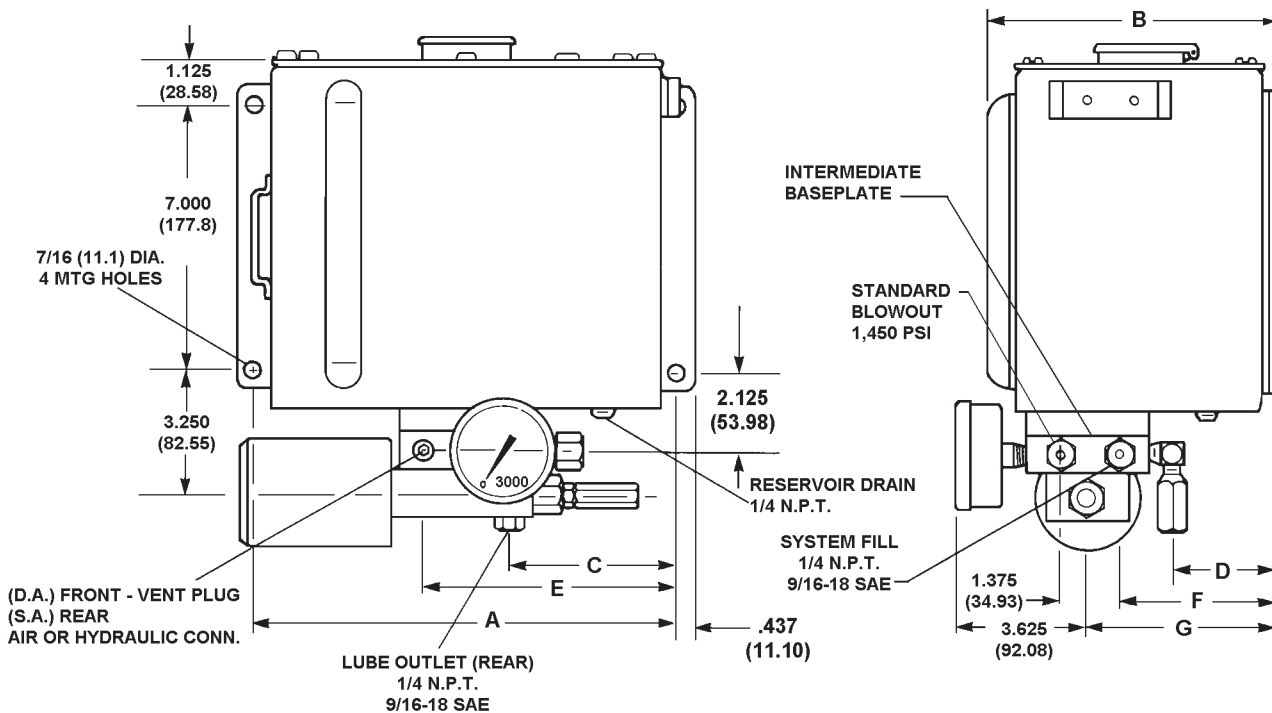
For ordering guidance, see the data on this and the following pages in this brochure; then use the ordering menu on the back cover.

Accessory options for Modu-Flo Lube Package include:

- Low-level options
- Pressure switch options
- Solid-State A-C timer
- Solenoid option
- Wiring option

Also, Modu-Flo Lube Packages can be interfaced with a choice of Trabon and Graco controllers with varying ranges of functions or interfaced with other systems. . . or monitored and directed by host controllers and diagnostic Systems. For more information about this type of installation and Modu-Flo units for it, consult the factory.

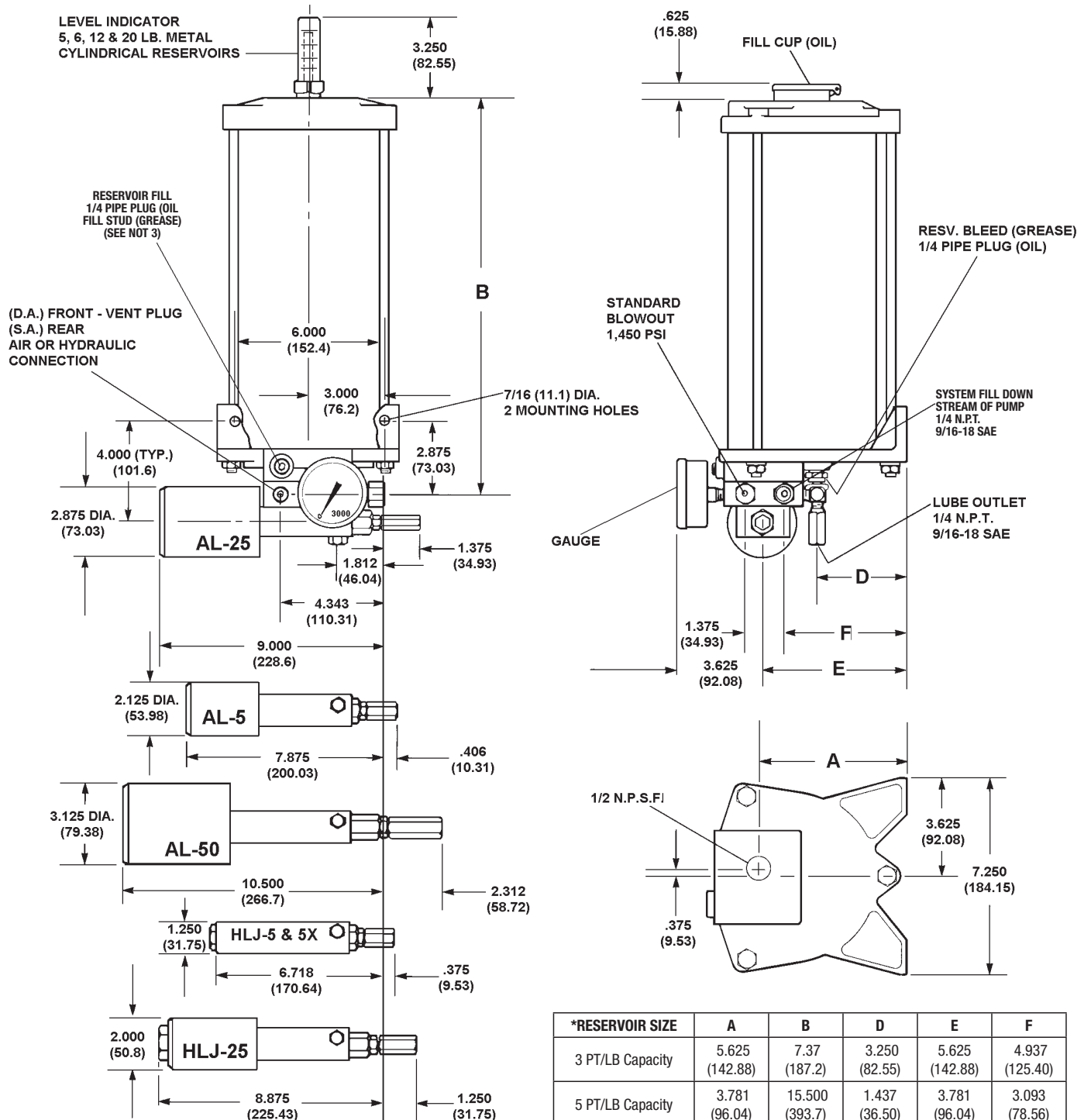
TYPICAL MODU-FLO LUBE PACKAGE FOR OIL



For larger capacity reservoirs, contact factory.

SIZE	A	B	C	D	E	F	G
12-pint	9.875 (250.83)	7.250 (184.15)	3.718 (94.44)	2.375 (60.33)	6.312 (160.32)	4.062 (103.17)	4.750 (120.65)
24-pint	11.125 (282.58)	13.218 (335.737)	4.343 (110.33)	8.375 (212.73)	7.750 (196.85)	10.062 (255.57)	10.750 (273.05)
40-pint	16.375 (415.93)	13.218 (335.737)	6.968 (177.01)	8.375 (212.73)	9.500 (241.3)	10.062 (255.57)	10.750 (273.05)

TYPICAL LUBE PACKAGE CHOICES AVAILABLE FOR OIL OR GREASE SYSTEMS UTILIZING PNEUMATIC OR HYDRAULIC POWER.



NOTES:

- (1) If application requires a filler vent plug, order Part No. 540-117-000 - N/A.
- (2) For extra blowout discs, order Part No. 560-900-270 - 563962.
- (3) Mating grease coupler, 506-322-000 - 558906 (order separately).

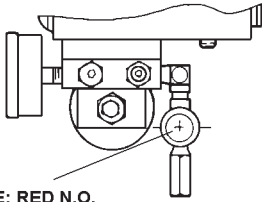
*RESERVOIR SIZE	A	B	D	E	F
3 PT/LB Capacity	5.625 (142.88)	7.37 (187.2)	3.250 (82.55)	5.625 (142.88)	4.937 (125.40)
5 PT/LB Capacity	3.781 (96.04)	15.500 (393.7)	1.437 (36.50)	3.781 (96.04)	3.093 (78.56)
6 PT/LB Capacity	5.625 (142.88)	11.000 (279.4)	3.250 (82.55)	5.625 (142.88)	4.937 (125.40)
12 PT/LB Capacity	5.625 (142.88)	15.500 (393.7)	3.250 (82.55)	5.625 (142.88)	4.937 (125.40)
20 PT/LB Capacity	5.625 (142.88)	22.500 (571.5)	3.250 (82.55)	5.625 (142.88)	4.937 (125.40)

*See Note 3, Page 12

Modu-Flo®

LUBE PACKAGE ACCESSORIES

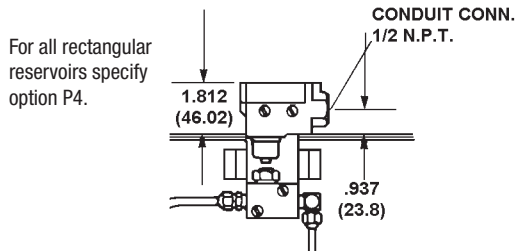
PRESSURE PROTECTION



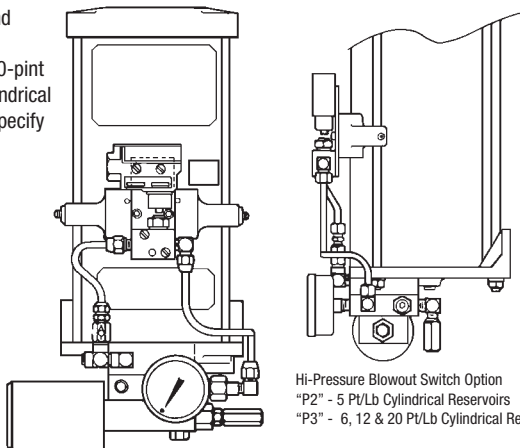
5 FT. 3 WIRE CABLE: RED N.O.
BLACK N.C.
WHITE COMMON

Oil pressure switch is factory set at 1,150 (79.3 bar). However, it is field adjustable from 400 to 4,700 psi (27.6 to 324 bar). For all Modu-Flo reservoirs, it is rated 5 amps @ 115/230 VAC... 3 amps @ 30 VDC inductive load and 5 amps @ 30 VDC resistive load. It is option P1 on the menu.

High pressure blowout switch options are single-pole, double-throw type and rated 15 amps @ 125, 250 and 480 VAC... 1/2 amp @ 125 VDC, and 1/4 amp @ 250 VDC. For 5-pound or 5-pint capacity cylindrical reservoirs, specify Option P2.



For 6-, 12- and 20-pound or 6-, 12- and 20-pint capacity cylindrical reservoirs, specify option P3.

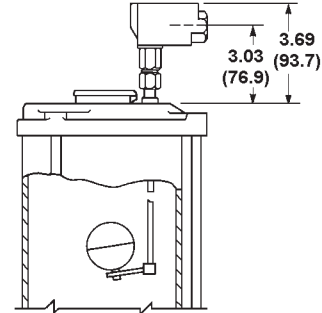


Hi-Pressure Blowout Switch Option
"P2" - 5 Pt/Lb Cylindrical Reservoirs
"P3" - 6, 12 & 20 Pt/Lb Cylindrical Reservoirs

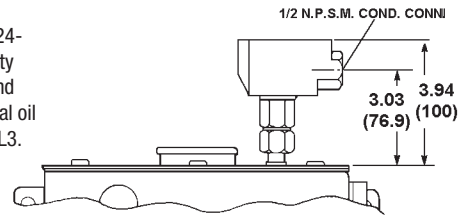
LOW-LEVEL PROTECTION

Modular low-level switch assemblies are all single-pole, double-throw type rated 15 amps @ 125, 250 and 480 VAC 60/50 Hz.. 1/2 amp @ 125 and 1/4 amp @ 250 VDC. An optional "low-watt" single-pole, single-throw, 10-watt low-level switch is available for oil reservoirs.

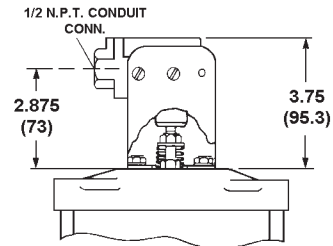
Low-level switch assembly for use with 5- and 12-pint capacity cylindrical oil reservoirs is option L1 on the ordering menu on the back cover of this brochure. A low-level switch assembly for the 20-pint capacity cylindrical reservoir is option L2.



Low-level switch assembly for 12-, 24- and 40-pint capacity rectangular tank and the 6-pint cylindrical oil reservoir is option L3.



Low-level switch option for all grease reservoirs (except 3lb and 40lb) is option L4

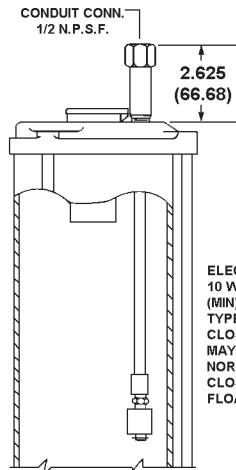


"Low-watt" low-level switch assembly for 5- and 12-pint capacity plastic cylindrical reservoirs is option L5.

"Low-watt" low-level switch assembly for 20-pint capacity plastic cylindrical oil reservoir is option L6.

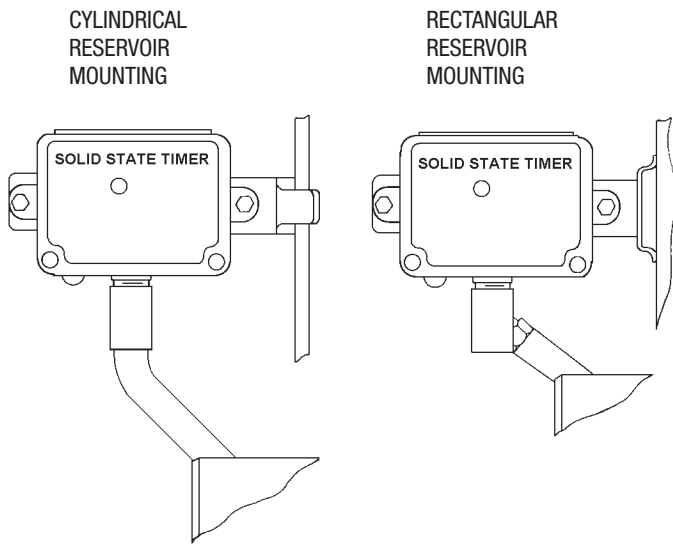
"Low-watt" low-level switch assembly for 12-, 24- and 40-pint capacity rectangular tanks and 6-pint cylindrical oil reservoir is option L7.

"Low-watt" dual level switch assembly. (Low and low shutdown) for 12, 24 and 40 pint capacity rectangular tanks is option L8.



ELECTRIC RATING:
10 WATTS @ 120 VAC.
(MIN) S.P.S.T. REED
TYPE SWITCH NORMALLY
CLOSED (HELD OPEN).
MAY BE CONVERTED TO
NORMAL OPEN (HELD
CLOSED) BY INVERTING
FLOAT.

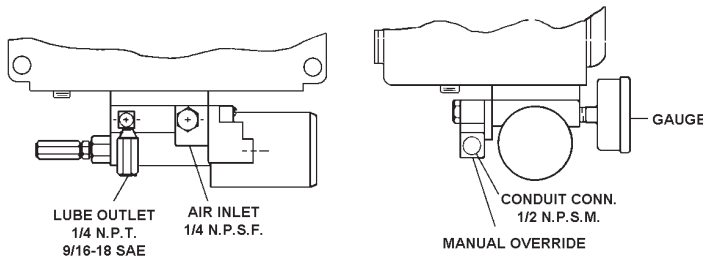
SOLID STATE AC TIMER



The Solid State Timer utilizes 110/220 VAC 60/50 Hz input, and permits total cycle times to be set at any period from 30 seconds to 32 hours. "On" time during total cycle time can be set from 12 seconds to 13 minutes, and takes place at the beginning of each period. For data sheet on timer, see Lit. No 14521.

SOLENOID VALVE OPTION

**110/120 VAC, 0.11A in-rush, 0.07A holding; 24 VDC, 8.5 W
230 VAC, 0.11A in-rush, 0.07A holding**



Valve is 115 VAC, 3-way, pneumatic, normally closed with a manual override button to simplify system testing, line filling and line bleeding. It is option S1 on menu. A 24 VDC version is also available. It is Option S2 on menu. The 230 VAC version is option S5 on the menu.

WIRING OPTIONS

When you specify a Modu-Flo Lube Package with solenoid and control options, you can also order the wiring option (the solenoid valve wired to the controller) from the menu. This option, however, is available only when ordering Modu-Flo Lube Packages.

SPARE OR REPLACEMENT BLOWOUT DISCS FOR PRESSURE PROTECTION

PSI	(bar)*	Color Code	Old Part No.	Part No.
900	(62.0)	Black	509-290-000	557431
1175	(81.0)	Green	509-291-000	557432
1450	(99.9)	Yellow	509-292-000	557433
1750	(120.7)	Red	509-293-000	557434
2050	(141.4)	Orange	509-294-000	557435
2350	(162.0)	Aluminum	509-295-000	557436
2650	(182.6)	Pink	509-296-000	557437
2950	(203.0)	Blue	509-297-000	557438
3250	(220.1)	Purple	509-298-000	557439

* Discs up to 2,350 psi have a tolerance of ± 500 psi. Discs greater than 2,350 psi have a tolerance of ± 20%.

SOPHISTICATED CONTROL

Look to Graco for the ideal controller to meet your system requirements and your budget limitations.

We offer the broadest line of units available in the centralized lubrication systems field. Our controllers range from simple, very economical single-count and multiple-count controllers... to microprocessor-based multi-function monitor/controllers. Recently, we've pioneered a new concept in modularly packaged, factory programmed controllers that are customized to your needs—at a fraction of the complexity and the cost of the programmable controllers now being offered to industry.

For details, contact your Graco/Trabon distributor or consult the factory.

OPERATION/SERVICE

For operation and service instructions on Modu-Flo components, refer to Trabon bulletin L42000.

PACKAGE ORDER INFORMATION (MENU)

MPP - XXX - XXX - XX - XX - XX - XX - XX - XXX - XX

RESERVOIR OPTION

OP1 - 5 PINT OIL CYLINDRICAL PLASTIC - 562891 - (185-100-080)
OP2 - 12 PINT OIL CYLINDRICAL PLASTIC - 562889 - (185-100-060)
OP3 - 20 PINT OIL CYLINDRICAL PLASTIC - 562890 - (185-100-070)
OP4 - 6 PINT OIL CYLINDRICAL PLASTIC - 562904 - (185-100-750)
T1 - 12 PINT OIL TANK - 563319 - (521-001-060)
T2 - 24 PINT OIL TANK - 563320 - (521-001-070)
T3 - 40 PINT OIL TANK - 563321 - (521-001-080)
GP1 - 5 LB GREASE CYLINDRICAL PLASTIC - 562888 - (185-100-040)
GP2 - 12 LB GREASE CYLINDRICAL PLASTIC - 562884 - (185-100-000)
GP3 - 20 LB GREASE CYLINDRICAL PLASTIC - 562885 - (185-100-010)
GP4 - 6 LB GREASE CYLINDRICAL PLASTIC - 562905 - (185-100-760)
GP5 - 3 LB GREASE CYLINDRICAL PLASTIC - 562910 - (185-101-080) - SEE FOOTNOTE 5
GM1 - 5 LB GREASE CYLINDRICAL METAL - 564264 - (185-100-050)
GM2 - 12 LB GREASE CYLINDRICAL METAL - 562886 - (185-100-020)
GM3 - 20 LB GREASE CYLINDRICAL METAL - 562887 - (185-100-030)
GM4 - 6 LB GREASE CYLINDRICAL METAL - 562906 - (185-100-770)

BASEPLATE THREAD OPTION

NPT - INTERMEDIATE BASEPLATE - 563324 - (521-001-180)
SAE - INTERMEDIATE BASEPLATE - 563355 - (521-010-820)
FOR OTHER THREAD OPTIONS, CONTACT FACTORY

*PUMP OPTION

A0 - NONE
A1 - ALS - 5 AIR, S.A., 30:1 (.010 - .030 IN³/STROKE) - 563304 - (521-000-001)
A2 - ALJ - 5 AIR, D.A. - 563304 - (521-000-001)
A3 - ALS - 25 AIR, S.A., 30:1 (.030 - .120 IN³/STROKE) - 563306 - (521-000-021)
A4 - ALJ - 25 AIR, D.A. - 563306 - (521-000-021)
A5 - ALS - 50 AIR, S.A., 30:1 (.060 - .240 IN³/STROKE) - 563308 - (521-000-041)
A6 - ALJ - 50 AIR, D.A. - 563308 - (521-000-041)
H1 - HLJ - 5 HYDR, D.A., 5.5:1 (.010 - .030 IN³/STROKE) - 563305 - (521-000-011)
H2 - HLJ - 25 HYDR, D.A., 5.5:1 (.030 - .120 IN³/STROKE) - 563307 - (521-000-031)
H3 - HLJ - 5X HYDR, D.A., 2.2:1 (.030 - .092 IN³/STROKE) - 563345 - (521-005-900)
E3 - 24 VDC, W/20 FT CABLE - 563356 - (521-010-915) - SEE FOOTNOTE 4
E4 - 24 VDC, W/TIMER AND 20 FT CABLE - DISCONTINUED - (521-010-916) - SEE FOOTNOTE 4
E5 - 115 VAC, W/20 FT CABLE - 563346 - (521-007-060) - SEE FOOTNOTE 4

*PRESSURE GAUGE OPTION

G1 - NO GAUGE
G2 - 3000 PSI STANDARD GAUGE - 557864 - (543-362-000)
G3 - 3000 PSI LIQUID FILL GAUGE - 557866 - (543-711-380)

*LOW LEVEL OPTION

L1 - 5 AND 12 PINT CYLINDRICAL OIL RESERVOIR, SPDT, 15 AMP - 563316 - (521-001-030)
L2 - 20 PINT CYLINDRICAL OIL RESERVOIR, SPDT, 15 AMP - 563317 - (521-001-040)
L3 - 12, 24 AND 40 PINT TANK AND 6 PINT CYLINDRICAL OIL RESERVOIR, SPDT, 15 AMP - 563318 - (521-001-050)
L4 - ALL GREASE RESERVOIRS EXCEPT 3 LB AND 40 LB - 563322 - (521-001-110)
L5 - 5 AND 12 PINT CYLINDRICAL OIL RESERVOIR, SPST, 10 WATTS - 563015 - (456-010-172)
L6 - 20 PINT CYLINDRICAL OIL RESERVOIR, SPST, 10 WATTS - 563016 - (456-010-173)
L7 - 12, 24 AND 40 PINT TANK AND 6 PINT CYLINDRICAL OIL RESERVOIR, SPST, 10 WATTS - 563014 - (456-010-171)
L8 - 12, 24 AND 40 PINT TANK, DUAL SPST, 10 WATT SWITCH (ONE LOW, ONE SHUTDOWN) - 564322 - (456-020-951)

*PRESSURE INDICATOR OPTION

P1 - PRESSURE SWITCH ALL SIZES - 557829 - (541-210-120)
P2 - HIGH PRESSURE BLOWOUT SWITCH, 5 PT/LB CYLINDRICAL - 563325 - (521-001-190)
P3 - HIGH PRESSURE BLOWOUT SWITCH, 6, 12 AND 20 PT/LB CYLINDRICAL - 563326 - (521-001-200)
P4 - HIGH PRESSURE BLOWOUT SWITCH, ALL TANKS - 563327 - (521-001-210)
P5 - STANDARD BLOWOUT, 1450 PSI - 563179 - (509-206-100)

*SOLENOID VALVE OPTION S.A. PNEUMATIC PUMPS ONLY (NOT AVAILABLE WITH SEA BASEPLATE)

S1 - 115 VAC, 3-WAY PNEUMATIC SOLENOID VALVE - 563315 - (521-001-020)
S2 - 24 VDC, 3-WAY PNEUMATIC SOLENOID VALVE - 563332 - (521-002-100)
S5 - 230 VAC, 3-WAY PNEUMATIC SOLENOID VALVE - DISCONTINUED - (521-002-790)

*TIMER/CONTROLLER

C10 - SOLID-STATE AC TIMER, ALL TANKS - 563339 - (521-004-500)
C11 - SOLID-STATE AC TIMER, 5 PT/LB CYLINDRICAL - 563340 - (521-004-510)
C12 - SOLID-STATE AC TIMER, 6, 12 AND 20 PT/LB CYLINDRICAL - 563341 - (521-004-520)

*WIRING OPTION

W1 - SOLENOID VALVE WIRED TO TIMER
*OMIT WHEN NOT REQUIRED

NOTES: (1) If application requires a filter vent plug, order Part No. 540-117-000
(2) For extra blowout discs, Order Part No. 560-900-270
(3) Nominal grease reservoir size is based on a direct conversion of oil reservoir capacity and does not reflect volume loss due to the follower and spring. Actual volumes contained are:
5 & 6 lb (2.6 lb), 12 lb (5.8 lb), 20 lb (11.8 lb), 40 lb (27 lb)

(4) Reference Bulletin 12011 for electric Modu-Flo pump specifications
(5) 3-lb with low level switch actuator 185-101-140
(Order switch and bracket 510-599-000 separate)

All written and visual data contained in this document are based on the latest product information available at the time of publication. Graco reserves the right to make changes at any time without notice.

Contact us today!

To receive product information or talk with a Graco representative,
call 800-533-9655 or visit us online at www.graco.com.

